

# Installation Instructions

Original Instructions



**Allen-Bradley**  
by ROCKWELL AUTOMATION



## Lifeline Rope Tensioner System (LRTS)

Bulletin Number 440E



**ATTENTION:** Read this document and the documents that are listed in the Additional Resources section about installation, configuration, and operation of this equipment before you install, configure, operate, or maintain this product. Users are required to familiarize themselves with installation and wire instructions and requirements of all applicable codes, laws, and standards.

Suitably trained personnel are required to install, adjust, put into service, use, assemble, disassemble, and maintain this equipment in accordance with the applicable code of practice. If this equipment is used in a manner that is not specified by the manufacturer, the protection that is provided by the equipment can be impaired.



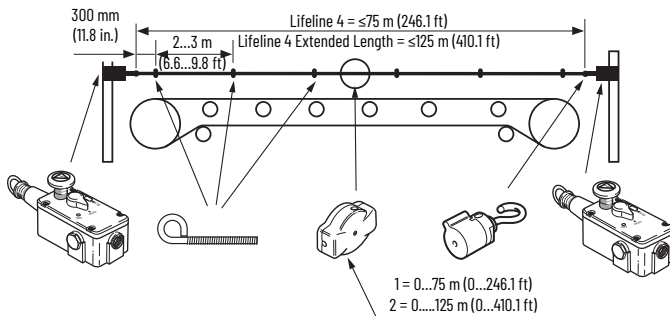
**ATTENTION:** Do not defeat, tamper, remove, or bypass this unit. Severe injury to personnel could result.

### Specifications

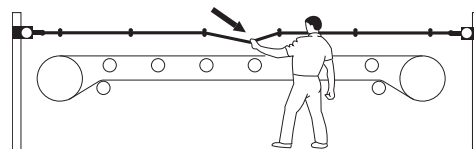
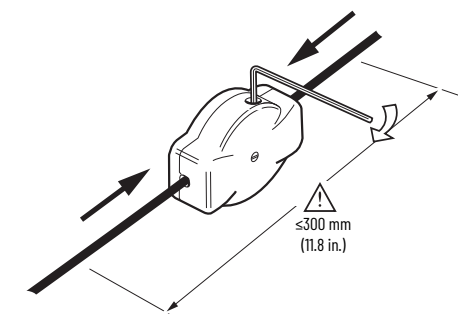
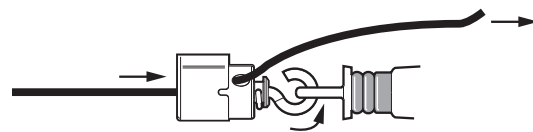
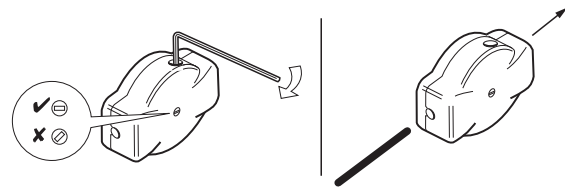
Attribute	Value
Operating temperature	-25...+80 °C (-13...+176 °F)
Rope adjustment, max	300 mm (11.8 in.)
Tensioner holding force, max	500N (112.4 lbf)
Gripper holding force, max	280N (62.9 lbf)
Ingress protection rating	IP30

### Mounting

Figure 1 - Typical Mounting – Lifeline™ 4 Cable Pull Switch



**ATTENTION:** Only the supplied cable (rope) should be used with LRTS system.



## Maintenance

Frequency	Description
Every week	<ul style="list-style-type: none"> <li>• Check correct tension of system and adjust if necessary.</li> <li>• Check for any signs of abuse or tampering. Replace if apparent.</li> <li>• Verify rope length is clear of obstruction and system is working correctly.</li> </ul>

## Repair

If there is any malfunction or damage, no attempts at repair should be made. The unit should be replaced before machine operation is allowed.

---

**IMPORTANT** Do not dismantle the unit.

---

## Approximate Dimensions

Figure 2 - Gripper [mm (in.)]

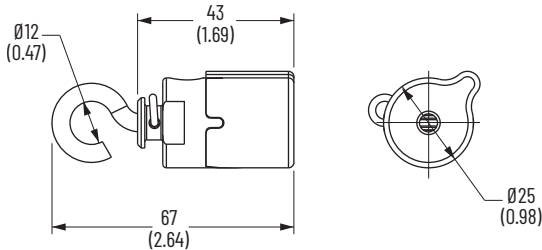
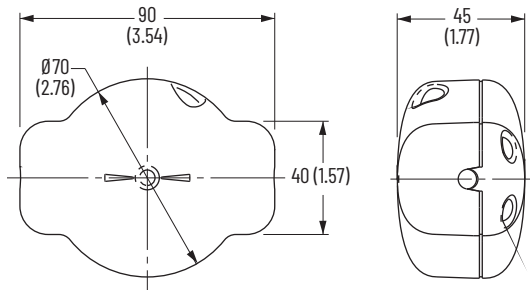


Figure 3 - Tensioner [mm (in.)]



## Waste Electrical and Electronic Equipment (WEEE)







At the end of life, this equipment should be collected separately from any unsorted municipal waste.

Rockwell Automation maintains current product environmental compliance information on its website at [rok.auto/pec](http://rok.auto/pec).

Your comments help us serve your documentation needs better. If you have any suggestions on how to improve our content, complete the form at [rok.auto/docfeedback](http://rok.auto/docfeedback).

For technical support, visit [rok.auto/support](http://rok.auto/support).

Rockwell Otomasyon Ticaret A.Ş. Kar Plaza İş Merkezi E Blok Kat:6 34752, İçerenköy, İstanbul, Tel: +90 (216) 5698400 EEE Yönetmeliğine Uygundur

Connect with us.    

[rockwellautomation.com](http://rockwellautomation.com) expanding human possibility®

AMERICAS: Rockwell Automation, 1201 South Second Street, Milwaukee, WI 53204-2496 USA, Tel: (1) 414.382.2000, Fax: (1) 414.382.4444

EUROPE/MIDDLE EAST/AFRICA: Rockwell Automation NV, Pegasus Park, De Kleetlaan 12a, 1831 Diegem, Belgium, Tel: (32) 2 663 0600, Fax: (32) 2 663 0640

ASIA PACIFIC: Rockwell Automation, Level 14, Core F, Cyberport 3, 100 Cyberport Road, Hong Kong, Tel: (852) 2887 4788, Fax: (852) 2508 1846

Allen-Bradley, expanding human possibility, Guardmaster, Lifeline, and Rockwell Automation are trademarks of Rockwell Automation, Inc. Trademarks not belonging to Rockwell Automation are property of their respective companies.

Publication 440E-IN003B-EN-P - August 2021 | Supersedes Publication 440E-IN003A-EN-P - August 2006

Copyright © 2021 Rockwell Automation, Inc. All rights reserved. Printed in the U.S.A.



K-13751

K-13751

13751 Ver 06